



Smart solutions.  
Strong relationships.

# MULTISTAGE PUMPS



## HORIZONTAL MULTISTAGE PUMPS



## VERTICAL MULTISTAGE PUMPS

### **CGL PUMPS : A REPUTATION FOR EXCELLENCE...**

**Crompton Greaves Ltd**, is an Indian MNC, a part of US\$4 BN Avantha Group conglomerate with an impressive global foot print operating in over 10 countries and has a leadership position in most of its lines of Business.

CGL is designing and manufacturing Dependable innovative range of Centrifugal pumps for over 45 years and supplying to various core sectors of global economy like Water & Waste Water Management, Irrigation, Water Works, Fire Fighting, Processing, Power, Fertilizer, Refinery, Paper, Sugar & Textile Mills. Today CGL is the company having a wide product range of more than 2000 varied pump models catering to different areas of domestic, agriculture and industrial markets.

CGL Centrifugal Monoset Pump Series provides a new generation pumps having broad range of hydraulic coverage and low total cost of ownership, with reliable performance in variety of services.

#### **Our product range broadly covers :**

**Submersible pump sets:** Suitable for Open well and Borewell ranging from diameter 75mm to 250 mm

**Panels:** Suitable for Open well and Borewell pumps upto 250 mm diameter

**Cables:** Submersible cables up to 6 sq mm

**Surface mounted pumps :** Monosets in self-priming & non-self priming and coupled pump set in self priming

#### **Horizontal Split case pumps**

**End Suction Pumps as per ISO 2858 / DIN 24255**

**Jet Pumps :** Shallow well, Multi stage, Twin Type and Packer Type

#### **Diesel engine driven Pump sets**

Non Clog Dewatering Self priming pumps in bare shaft, monosets and coupled constructions.

With a view to augment our manufacturing capabilities we are setting up a large state of the art manufacturing plant, at MIDC Ahmednagar, complete with computerized testing facilities and adherence to latest quality standards to meet the varied needs of customers.

The company has more than 200 models in the 4 star and 5 star category duly approved by the Bureau of Energy Efficiency, a nodal agency under the Ministry of Power to serve varied needs in Agriculture and Industries.



# HORIZONTAL MULTISTAGE PUMPS

## HORIZONTAL MULTISTAGE PUMPS



### Structural Characteristics

- Fitted with Thermal Over load Protector (TOP)
- Diffuser - Noryl with Stainless Steel Jacket
- Noryl Impeller
- Low power consumption

### Performance

- Single Phase 3000 RPM (Syn.) 50 Hz, 220 - 240 V,
- Capacitor Start and Run motor
- Motor Protection IP 44
- Insulation Class 'B'

### Performance Chart

S.No.	Model	Power		Stages	Pipe size (inches) BSP	Discharge in LPM												
		kW	HP			Total Head in metres												
1	MSMB 3D 0.50	0.37	0.50	3	1" x 1"	12	15	20	25	30	35	40	45	50	55	60	65	70
2	MSMB 4D 0.75	0.55	0.75	4	1" x 1"	28	27	25	23	20.5	18.5	16.5	14	12	10	8	6	4
3	MSMB 5D 1.00	0.75	1.00	5	1" x 1"	37	35	33	30	27	25	22	19	17	14	11	8	6
						47	45	41	38	34.5	31	28	24	21	17	14	10	7



### Structural Characteristics

- Diffuser - SS 304
- Impeller - SS 304
- Shaft - SS 410
- Clean water not containing abrasive particles
- Liquid temperature -15° C to 100° C
- Ambient temperature up to 50° C

### Performance

- Single Phase 3000 RPM (Syn.) 50 Hz, 220 - 240 V, Capacitor Start and Run motor
- Three Phase 3000 - RPM (Syn.) 50 Hz, 415 V
- Motor Protection IP 44
- Insulation Class 'B'

### Performance Chart

S.No.	Model	Power		Stage	Pipe size	Discharge in LPM							
		kW	HP			Head (m)							
1.	CGHM 2/0.50-3	0.37	0.50	3	1" x 1"	0	8	17	25	33	42	50	58
2.	CGHM 2/0.75-5	0.55	0.75	5	1" x 1"	29	26	25	23	20	19	16	12
3.	CGHM 2/1.00-6	0.75	1.00	6	1" x 1"	48	44	41	38	34	31	26	20
						56	52	48	45	40	36	31	24

S.No.	Model	Power		Stage	Pipe size	Discharge in LPM							
		kW	HP			Head (m)							
1.	CGHM 4/0.50-2	0.37	0.50	2	1¼" x 1"	0	17	33	50	67	83	100	117
2.	CGHM 4/0.75-3	0.55	0.75	3	1¼" x 1"	19	17.5	16.5	15.5	14.5	12.5	9.5	6.5
3.	CGHM 4/1.00-4	0.75	1.00	4	1¼" x 1"	29	26	25	23	22	19	14	10
4.	CGHM 4/1.50-6	1.10	1.50	6	1¼" x 1"	38	35	33	31	29	25	19	13
						57	53	50	47	44	38	29	20

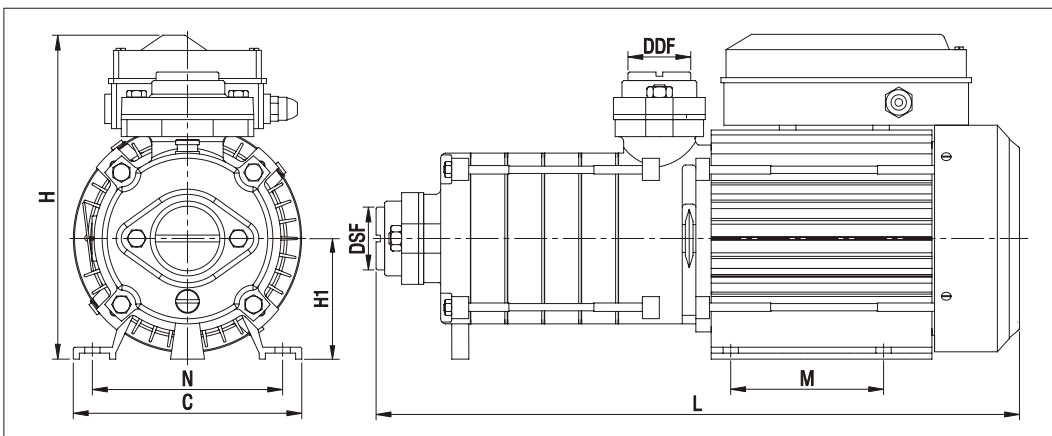
# HORIZONTAL MULTISTAGE PUMPS

S.No.	Model	Power		Stage	Pipe size	Discharge in LPM							
		kW	HP			Head (m)							
1.	CGHM 8/1.00-2	0.75	1.00	2	1½" x 1½"	0	83	100	117	133	150	167	183
2.	CGHM 8/1.50-3	1.10	1.50	3	1½" x 1½"	21	19	18	17	16	15	13	11
3.	CGHM 8/2.00-4	1.50	2.00	4	1½" x 1½"	32	28	27	26	24	22	19	16
4.	CGHM 8/3.00-5	2.20	3.00	5	1½" x 1½"	42	37	36	34	32	29	25	21
						52	46	44	42	39	36	31	26

S.No.	Model	Power		Stage	Pipe size	Discharge in LPM							
		kW	HP			Head (m)							
1.	CGHM 16/3.00-2	2.20	3.00	2	2" x 2"	0	133	167	200	267	300	333	367
2.	CGHM 16/4.00-3	3.00	4.00	3	2" x 2"	27	25	24	23	21	19	17	15
						41	38	37	35	31	29	26	22

**Note:** Performance figure provided above are approximate for water at ambient temperature, may vary with liquid & sit conditions.

## DIMENSION DETAILS:



## DIMENSION DETAILS:

S.No.	Model	DSF & DDF	C	H	H1	L	M	N
1	MSMB 0.50	1" x 1"	135	191	71	352	90	112
2	MSMB 0.75	1" x 1"	135	191	71	380	90	112
3	MSMB 1.00	1" x 1"	135	191	71	416	90	112
4	CGHM 2/0.50-3	1" x 1"	136	204	100	347	146	112
5	CGHM 2/0.75-5	1" x 1"	136	204	100	383	146	112
6	CGHM 2/1.0-6	1" x 1"	160	229	100	416	146	112
7	CGHM 4/0.50-2	1¼" x 1"	136	204	100	349	146	112
8	CGHM 4/0.75-3	1¼" x 1"	136	204	100	376	146	112
9	CGHM 4/1.00-4	1¼" x 1"	160	230	100	418	146	112
10	CGHM 4/1.50-6	1¼" x 1"	160	230	100	473	146	112
11	CGHM 8/1.00-2	1½" x 1½"	160	245	126	393	146	112
12	CGHM 8/1.50-3	1½" x 1½"	160	245	126	423	146	112
13	CGHM 8/2.00-4	1½" x 1½"	160	252	126	480	146	112
14	CGHM 8/3.00-5	1½" x 1½"	160	256	126	539	146	112

# VERTICAL MULTISTAGE PUMPS

## VERTICAL MULTISTAGE PUMPS



### Structural Characteristics

- Impeller - SS 304
- Diffuser - SS 304
- Shaft - SS 410
- Clean water not containing abrasive particles
- Liquid temperature -15° C to 100° C
- Ambient temperature up to 50° C

### Performance

- Three Phase, 3000 - RPM (Syn.) 50 Hz, 415 V±10%

### Motor details

- Cast Iron Motor Body
- IP 54 Protection
- Insulation Class 'F'
- Eff 2 motor

### Performance Chart

S.No.	Model	Power		Stage	Pipe size	Discharge in LPM									
		kW	HP			Head (m)	0	17	20	27	33	40	47	53	58
1.	CGVM 2/0.50-3	0.37	0.50	3	1" x 1"		Head (m)	30	27	26	24	22	20	17	15
2.	CGVM 2/0.75-5	0.55	0.75	5	1" x 1"	48		45	43	40	37	33	29	25	20
3.	CGVM 2/1.00-7	0.75	1.00	7	1" x 1"	65		62	60	57	52	46	41	34	28
4.	CGVM 2/1.50-11	1.10	1.50	11	1" x 1"	102		98	95	89	82	73	64	54	44
5.	CGVM 2/2.00-15	1.50	2.00	15	1" x 1"	136		132	128	120	111	99	86	73	59
6.	CGVM 2/3.00-22	2.20	3.00	22	1" x 1"	200		192	186	174	161	143	125	106	86
7.	CGVM 2/4.00-26	3.00	4.00	26	1" x 1"	235		227	220	206	190	169	148	125	102

S.No.	Model	Power		Stage	Pipe size	Discharge in LPM									
		kW	HP			Head (m)	0	25	33	50	67	83	100	117	133
1.	CGVM 4/0.50-2	0.37	0.50	2	1¼" x 1¼"		Head (m)	21	18	17	17	15	13	12	9
2.	CGVM 4/0.75-3	0.55	0.75	3	1¼" x 1¼"	30		27	26	25	23	20	18	13	9
3.	CGVM 4/1.00-4	0.75	1.00	4	1¼" x 1¼"	39		36	35	33	31	26	23	17	12
4.	CGVM 4/1.50-6	1.10	1.50	6	1¼" x 1¼"	57		54	52	50	46	39	35	26	18
5.	CGVM 4/2.00-8	1.50	2.00	8	1¼" x 1¼"	75		71	69	66	61	51	46	34	24
6.	CGVM 4/3.00-12	2.20	3.00	12	1¼" x 1¼"	111		106	102	98	90	76	69	51	35
7.	CGVM 4/4.00-16	3.00	4.00	16	1¼" x 1¼"	145		141	136	131	120	102	91	68	47
8.	CGVM 4/5.00-22	3.70	5.00	22	1¼" x 1¼"	197		192	185	178	164	139	124	92	64

# VERTICAL MULTISTAGE PUMPS

## Performance Chart

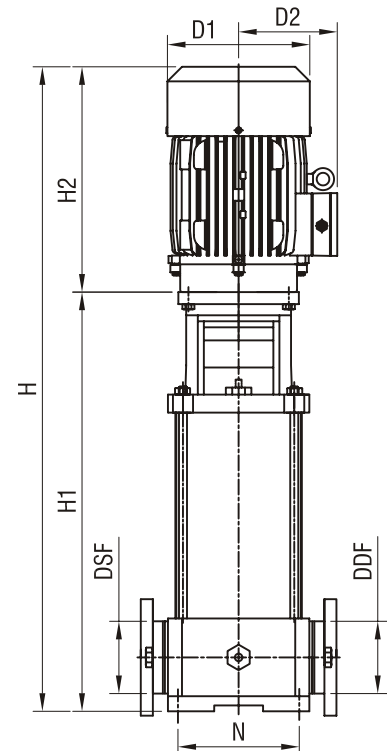
S.No.	Model	Power		Stage	Pipe size	Discharge in LPM									
		kW	HP			0	83	100	117	133	150	167	183	200	
1.	CGVM 8/1.00-2	0.75	1.00	2	1½" x 1½"	Head (m)	23	20	19	18	17	16	15	14	12
2.	CGVM 8/1.50-3	1.10	1.50	3	1½" x 1½"		34	30	29	28	26	25	23	21	19
3.	CGVM 8/2.00-4	1.50	2.00	4	1½" x 1½"		44	40	39	37	35	33	31	28	25
4.	CGVM 8/3.00-6	2.20	3.00	6	1½" x 1½"		64	60	58	55	52	49	46	42	37
5.	CGVM 8/4.00-8	3.00	4.00	8	1½" x 1½"		82	79	77	73	69	65	61	55	49
6.	CGVM 8/5.00-12	3.70	5.00	12	1½" x 1½"		121	118	114	108	102	96	90	82	73
7.	CGVM 8/7.50-16	5.50	7.50	16	1½" x 1½"		161	157	152	144	136	128	120	110	97
8.	CGVM 8/10.0-20	7.50	10.0	20	1½" x 1½"		198	194	188	179	168	158	149	136	120

S.No.	Model	Power		Stage	Pipe size	Discharge in LPM									
		kW	HP			0	133	167	200	233	267	300	333	367	
1.	CGVM16/3.00-2	2.20	3.00	2	2" x 2"	Head (m)	31	27	26	25	24	23	21	19	17
2.	CGVM 16/4.00-3	3.00	4.00	3	2" x 2"		45	41	40	38	37	34	31	28	25
3.	CGVM 16/5.00-4	3.70	5.00	4	2" x 2"		58	54	53	51	49	45	41	37	33
4.	CGVM 16/7.50-6	5.50	7.50	6	2" x 2"		85	81	79	76	73	68	62	56	50
5.	CGVM 16/10.0-8	7.50	10.0	8	2" x 2"		111	107	104	100	96	90	82	74	66
6.	CGVM 16/15.0-12	11.0	15.0	12	2" x 2"		163	159	155	149	143	133	122	110	98
7.	CGVM 16/20.0-16	15.0	20.0	16	2" x 2"		217	212	206	199	191	178	162	146	131

Note: Performance figure provided above are approximate for water at ambient temperature, may vary with liquid & sit conditions.

## DIMENSION DETAILS:

S.No.	Mode I	DSF & DD	H1	H2	H	D1	D2	N
1	CGVM 2/0.50-3	1" x 1"	263	216	479	134	101	100
2	CGVM 2/0.75-5	1" x 1"	299	216	515	134	101	100
3	CGVM 2/1.00-7	1" x 1"	340	232	572	160	124	100
4	CGVM 2/1.50-11	1" x 1"	412	232	644	160	124	100
5	CGVM 2/2.00-15	1" x 1"	501	266	767	178	126	100
6	CGVM 2/3.00-22	1" x 1"	627	287	914	178	130	100
7	CGVM 2/4.00-26	1" x 1"	702	310	1012	195	135	100
8	CGVM 4/0.50-2	1¼" x 1¼"	263	216	479	134	101	100
9	CGVM 4/0.75-3	1¼" x 1¼"	290	216	506	134	101	100
10	CGVM 4/1.00-4	1¼" x 1¼"	321	232	553	160	124	100
11	CGVM 4/1.50-6	1¼" x 1¼"	375	232	607	160	124	100
12	CGVM 4/2.00-8	1¼" x 1¼"	446	266	712	178	126	100
13	CGVM 4/3.00-12	1¼" x 1¼"	554	287	841	178	130	100
14	CGVM 4/4.00-16	1¼" x 1¼"	665	310	975	195	135	100
15	CGVM 4/5.00-22	1¼" x 1¼"	827	310	1137	195	135	100
16	CGVM 8/1.00-2	1½" x 1½"	371	232	603	160	124	130
17	CGVM 8/1.5-3	1½" x 1½"	401	232	633	160	124	130
18	CGVM 8/2.00-4	1½" x 1½"	436	266	702	178	126	130
19	CGVM 8/3.00-6	1½" x 1½"	496	287	783	178	130	130
20	CGVM 8/4.00-8	1½" x 1½"	561	310	871	195	135	130
21	CGVM 8/5.00-12	1½" x 1½"	681	310	991	195	135	130
22	CGVM 8/7.50-16	1½" x 1½"	836	400	1236	260	182	130
23	CGVM 8/10.00-20	1½" x 1½"	956	400	1356	260	182	130
24	CGVM 16/3.00-2	2" x 2"	406	287	693	178	130	130
25	CGVM 16/4.00-3	2" x 2"	456	310	766	195	135	130
26	CGVM 16/5.00-4	2" x 2"	501	310	811	195	135	130
27	CGVM 16/7.50-6	2" x 2"	626	400	1026	260	182	130
28	CGVM 16/10.00-8	2" x 2"	716	400	1116	260	182	130
29	CGVM 16/15.00-12	2" x 2"	926	520	1446	307	220	130
30	CGVM 16/20.00-16	2" x 2"	1106	520	1626	307	220	130





# MULTISTAGE PUMPS

## Applications:



Buildings, Apartments



Commercial Building



Industrial Applications



Farm House



Hydro Pneumatic Pressure  
Booster Systems



Lifestyle Residences



Hotels



**Crompton Greaves Limited**  
**MACHINE 5 DIVISION**

Plot No. C-19 & A-28 MIDC, Ahmednagar - 414111  
Tel.: 0241-6606500 Fax: 0241-6606550, 6606560

Regd. Office:  
CG House, 6th Floor, Dr. Annie Besant Road, Worli, Mumbai - 400 030  
W: [www.cgglobal.com](http://www.cgglobal.com)