



Smart solutions.  
Strong relationships.

# Submersible Pump (SSEW Series)



**SSEW Series 0.5HP-1.0HP**



**SSEW Series 2.0HP-7.5HP**

### **CGL PUMPS : A REPUTATION FOR EXCELLENCE...**

**Crompton Greaves Ltd**, is an Indian MNC, a part of US\$4 BN Avantha Group conglomerate with an impressive global foot print operating in over 10 countries and has a leadership position in most of its lines of Business.

CGL is designing and manufacturing Dependable innovative range of Centrifugal pumps for over 45 years and supplying to various core sectors of global economy like Water & Waste Water Management, Irrigation, Water Works, Fire Fighting, Processing, Power, Fertilizer, Refinery, Paper, Sugar & Textile Mills. Today CGL is the company having a wide product range of more than 2000 varied pump models catering to different areas of domestic, agriculture and industrial markets.

CGL Centrifugal Monoset Pump Series provides a new generation pumps having broad range of hydraulic coverage and low total cost of ownership, with reliable performance in variety of services.

#### **Our product range broadly covers :**

**Submersible pump sets:** Suitable for Open well and Borewell ranging from diameter 75mm to 250 mm

**Panels:** Suitable for Open well and Borewell pumps upto 250 mm diameter

**Cables:** Submersible cables up to 6 sq mm

**Surface mounted pumps :** Monosets in self-priming & non-self priming and coupled pump set in self priming

#### **Horizontal Split case pumps**

**End Suction Pumps as per ISO 2858 / DIN 24255**

**Jet Pumps :** Shallow well, Multi stage, Twin Type and Packer Type

#### **Diesel engine driven Pump sets**

Non Clog Dewatering Self priming pumps in bare shaft, monosets and coupled constructions.

With a view to augment our manufacturing capabilities we are setting up a large state of the art manufacturing plant, at MIDC Ahmednagar, complete with computerized testing facilities and adherence to latest quality standards to meet the varied needs of customers.

The company has more than 200 models in the 4 star and 5 star category duly approved by the Bureau of Energy Efficiency, a nodal agency under the Ministry of Power to serve varied needs in Agriculture and Industries.



## Submersible Pump (SSEW Series) 50Hz



**SSEW Series 0.5HP-1.0HP**

### Feature:

- Non-clogging, minimized abrasive wear, large impeller clearance and maintenance Free
- Water proof cable: Epoxy potting for self-contained core sealer
- Motor Protector: Built-in protectors preventing motors from burnout due to abnormal operation
- Anti-corrosive motor housing: Made of stainless steel, high resistance to corrosion
- High efficiency motor: Specially designed submersible motor with F class insulation and low temperature rise
- High-reliability shaft sealing: Back to back double mechanical seals in the separate oil chamber, oil seal equipped at pressure side.

### Applications :

- For Dewatering the basements.
- In pits of RCC during construction.
- For removing the water in slope area during rainy season.
- For handling water containing solids.
- In Swimming pools

### Other application we can include such as

- Construction • Food processing • Hotel restaurant • Mines
- Paper mills • Refineries • Sewage treatment • Sugar factories
- Textile mills • Circulation water • Paper pulp
- Sludge circulation • Waste water

### Parts and Material of Construction:

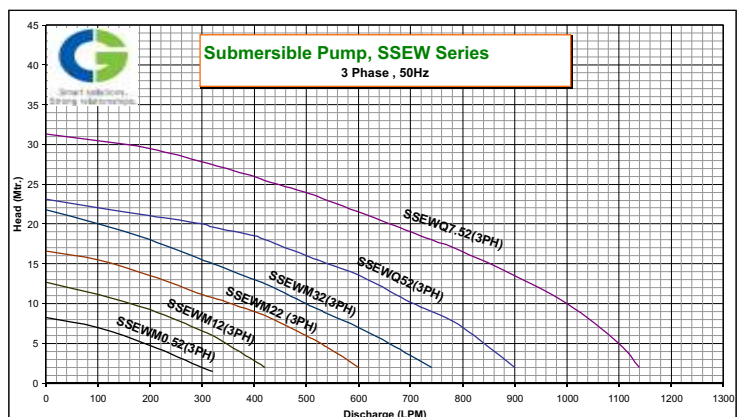
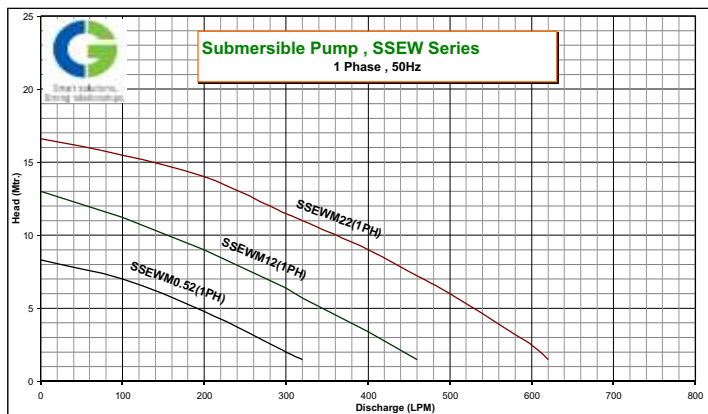
Part	Material
Cable	PVC
Cable hood	NBR
Handle	AISI 410
Motor Cover	FG 200
Seal Housing	FG 200
Bracket	FG 200
Oil Chamber	FG 200
Pump Casing	FG 200
Impeller	FG 200
Mech. Seal	-----
Oil Seal	NBR
Bearing	-----
Protector	-----
Shaft	AISI 410
Motor Housing	AISI 304



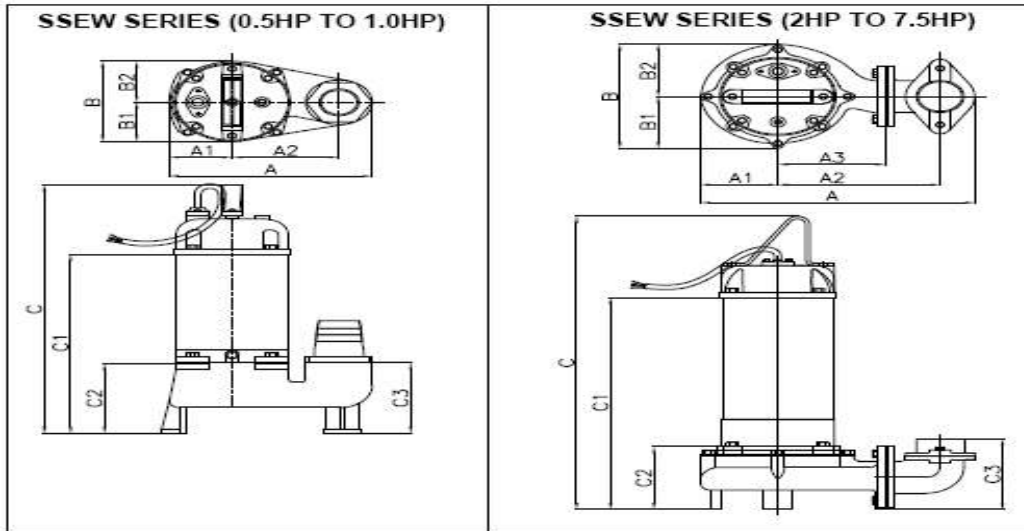
**SSEW Series 2.0HP-7.5HP**

## Specification & Performance:-

Type	Motor Rating		Del. Size mm	Solid Handling Capacity mm	Discharge (LPM)													
	kW	HP			0	100	200	300	400	500	600	700	800	900	1000			
SSEWM0.52(1PH)	0.37	0.5	50	35	Head(m)	8	7	5	2									
SSEWM12(1PH)	0.75	1	50	35		13	11	9	6.5	3.5								
SSEWM22(1PH)	1.5	2	50	43		17	16	14	12	9	6	2.5						
SSEWM0.52(3PH)	0.37	0.5	50	35		8.5	7	5	2									
SSEWM12(3PH)	0.75	1	50	35		13	11	9.5	6.5	3								
SSEWM22 (3PH)	1.5	2	50	43		17	16	14	11	9	6	2						
SSEWM32(3PH)	2.2	3	50	43		22	20	18	16	13	10	7	3.5					
SSEWQ52(3PH)	3.7	5	80	50		23	22	21	20	19	16	14	10	7	2			
SSEWQ7.52(3PH)	5.5	7	80	50		31.5	31	30	28	26	24	22	19	17	14	10		



### Overall Dimensions:



Type	Dimensions in mm										
	A	A1	A2	A3	B	B1	B2	C	C1	C2	C3
SSEWM0.52(1PH)	223	70	115		132	63	69	381	325	112	113
SSEWM12(1PH)	223	70	115		132	63	69	411	355	112	113
SSEWM22(1PH)	390	103	235	151	210	105	105	570	400	150	152
SSEWM0.52(3PH)	223	70	115		132	63	69	381	325	112	113
SSEWM12(3PH)	223	70	115		132	63	69	411	355	112	113
SSEWM22(3PH)	390	103	235	151	210	105	105	570	400	150	152
SSEWM32(3PH)	390	103	235	151	210	105	105	590	420	150	152
SSEWQ52(3PH)	458	110	256	176	227	110	117	633	468	160	225
SSEWQ7.52(3PH)	458	110	256	176	227	110	117	673	508	160	225





**Crompton Greaves Limited**  
**MACHINE 5 DIVISION**

Plot No. C-19 & A-28 MIDC, Ahmednagar - 414111  
Tel.: 0241-6606500 Fax.: 0241-6606550, 6606560

Regd. Office:  
CG House, 6th Floor, Dr Annie Besant Road, Worli, Mumbai-400 030  
W: [www.cgglobal.com](http://www.cgglobal.com)